

# Proximity Sensors Inductive

## Short body, Stainless Steel Housing

### Types IA, M8

5 years warranty

CARLO GAVAZZI



- Miniature stainless steel housing M8
- Short body
- Sensing distance: 1.5 mm or 2.5 mm
- Power supply: 10 to 30 VDC
- Output: Transistor NPN/PNP, make or break switching
- Protection: Short-circuit
- LED-indication for output ON
- 2 m PVC cable or M8 plug

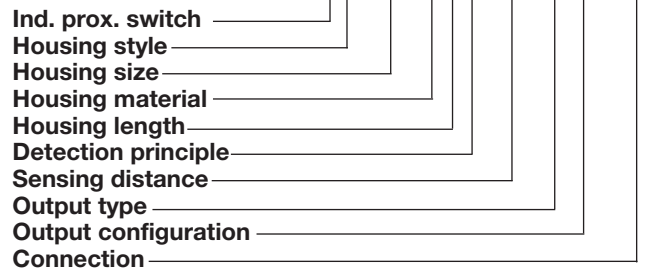


## Product Description

Miniature inductive proximity sensor with reduced body length. Output configuration for NPN/PNP with both NO and NC types as standard. M8 stainless steel housing. Connection with 2 m PVC cable or M8 plug.

## Ordering Key

**IA 08 BSF 15 NO M5**



## Type Selection

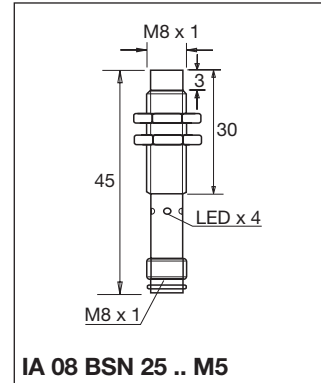
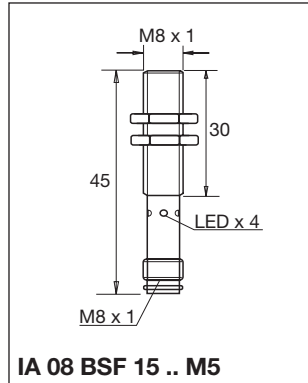
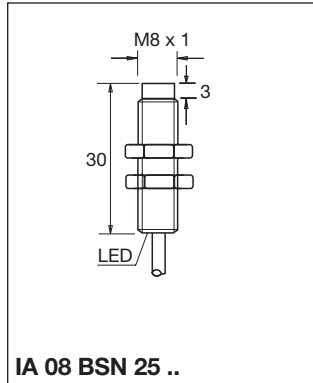
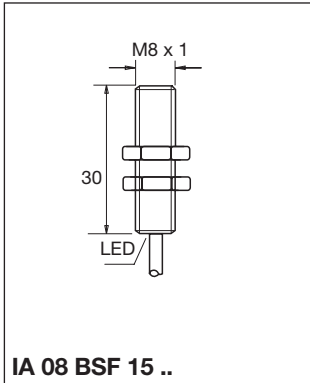
Rated operating dist. (S <sub>n</sub> )	Conn. type	Ordering no. Transistor NPN Make switching	Ordering no. Transistor NPN Break switching	Ordering no. Transistor PNP Make switching	Ordering no. Transistor PNP Break switching
1.5 mm <sup>1)</sup>	Cable	IA 08 BSF 15 NO	IA 08 BSF 15 NC	IA 08 BSF 15 PO	IA 08 BSF 15 PC
1.5 mm <sup>1)</sup>	Plug	IA 08 BSF 15 NO M5	IA 08 BSF 15 NC M5	IA 08 BSF 15 PO M5	IA 08 BSF 15 PC M5
2.5 mm	Cable	IA 08 BSN 25 NO	IA 08 BSN 25 NC	IA 08 BSN 25 PO	IA 08 BSN 25 PC
2.5 mm	Plug	IA 08 BSN 25 NO M5	IA 08 BSN 25 NC M5	IA 08 BSN 25 PO M5	IA 08 BSN 25 PC M5

<sup>1)</sup> For flush mounting in metal

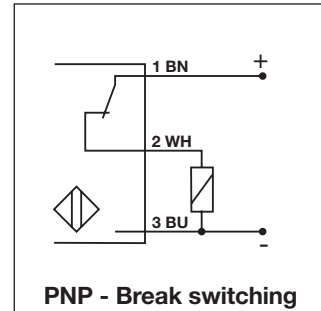
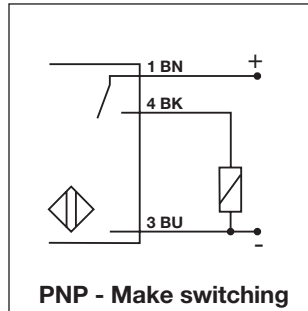
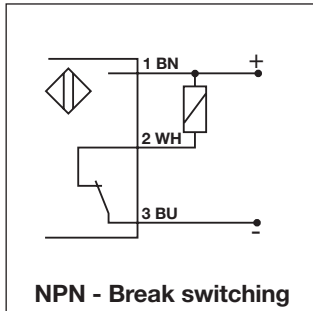
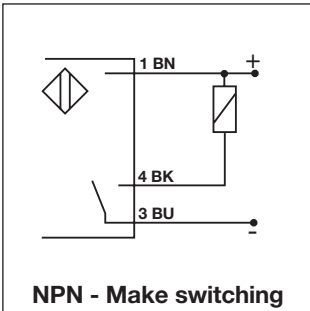
## Specifications

Rated operational volt. (U <sub>B</sub> )	10 to 30 VDC (ripple included)	Degree of protection	IP 67 (Nema 1, 3, 4, 6, 13)
Ripple	≤ 10%	Housing material	Stainless steel, AISI 303
Rated operational current (I <sub>a</sub> ) Continuous	≤ 200 mA @ + 25°C (+75°F)	CE-marking	Yes
No-load supply current (I <sub>o</sub> )	≤ 10 mA (ON)	Connection	2 m, PVC, AWG 26, oil proof M8, CONH5A-xxx Serie
Voltage drop (U <sub>d</sub> )	< 2,5 V (@ I <sub>max</sub> )	Cable	
Protection	Short circuit	Plug	
Frequency of operating cycles (f)	2000 Hz		
Indication for output ON	LED, yellow		
Effective operating dist. (S <sub>r</sub> )	0.9 x S <sub>n</sub> ≤ S <sub>r</sub> ≤ 1.1 x S <sub>n</sub>		
Usable operating dist. (S <sub>u</sub> )	0.85 x S <sub>r</sub> ≤ S <sub>u</sub> ≤ 1.15 x S <sub>r</sub>		
Ambient temperature			
Operating	-25° to +70°C (-13° to +158°F)		
Storage	-30° to +75°C (-22° to +167°F)		

## Dimensions



## Wiring Diagrams



## Installation Hints

